

PRODUCTS CATALOG
COMMERCIAL AND INDUSTRIAL

CMP
Century
motors
Producer

ARSINDO
INTEGRASI POMPA

PT ARSINDO INTEGRASI POMPA
Jl. Bawang 54B, Cimuning,
Bekasi 17155, West Java
www.ptarsindo.com
email: info@ptarsindo.com
WA: 0818 480 448



EXPLOSION PROOF MOTORS
THREE PHASE

Introduction

CMP's E2AD/E3AD range of IE2/IE3 Ex d / Exde 'flameproof' motors are certified for use in Zone 1, Class 1, Group IIA, IIB, IIC hazardous locations. These motors are designed to contain any sparks within the motor without igniting external vapours. They incorporate features such as a robust cast iron construction and special terminal box to meet the stringent certification requirements.

The complete E2AD/E3AD range covers sizes 63 to 450, three phase 2, 4, 6, 8 & 10 pole, with foot and flange mounting options .

Certification

The E2AD/E3AD range is specially designed and certified to the essential health and safety requirements by compliance with applied standard: IEC60079-0-2018, EN 60079-1:2014, EN60079-31:2014, EN1127-1:2019.



ATEX certification number is **ECM 20 ATEX-B WQ50**

II 2G Ex d IIB T4 Gb (T3, T5, T6 as optional) Tamb: -45°C to 60°C

II 2G Ex d IIC T4 Gb (T3, T5, T6 as optional) Tamb: -45°C to 60°C

II 2G Ex d e IIC T4 Gb (T3, T5, T6 as optional) Tamb: -45°C to 60°C

II 2D Ex tb IIIC T85°C... T150°C Db IP65 Tamb: -45°C to 60°C

Standards and specifications

The main dimensions and rated outputs of the E2AD/E3AD series generally conform to International Standards IEC 60034 and IEC 60072.

Operating parameters

Motors are designed with the following parameters:

- Continuous duty (S1)
- Ambient temperatures up to 60°C
- Installation at altitudes up to 1000 metres
- Motors may be suitable for other operating parameters, enquire with CMP.

Performance data is based on these parameters and may need adjustment for different conditions. Motors can be manufactured for any supply between 100 and 1100 Volts and frequencies 0 Hz to 70 Hz.

Terminal box

The terminal box of the E2AD/E3AD series is amply sized to allow for termination of cables and to accept flameproof glands. Cable entry size as below table :

Motor Frame	Cable Entry	Thermistor Entry
63~71	2 x M25 x 1.5	1 x M20 x 1.5
80~100	2 x M25 x 1.5	1 x M20 x 1.5
112~132	2 x M32 x 1.5	1 x M20 x 1.5
160~180	2 x M32 x 1.5	1 x M20 x 1.5
200~225	1 x M50 x 1.5	1 x M20 x 1.5
250~280	1 x M63 x 1.5	1 x M20 x 1.5
315~355	2 x M63 x 1.5	1 x M20 x 1.5

F class insulation, T4 surface temperature

E2AD/E3AD series motors have F class insulation and B class temperature rise. This design feature assures cool running of the motor. Certified Ex d T4 class motors have a maximum allowable surface temperature of 135°C. (T6= 85°C ,T5=100°C , T3=200°C) surface temperature class is available on request.

Degree of protection

Level of enclosure protection for the E2AD/E3AD series is IP55. For IP65, IP56 or IP66 is available on request.

Thermistors

E2AD/E3AD, (T4, T5, T6) motors are fitted, as standard, with one set of (3) 145°C PTC thermistors and are terminated within the main terminal box.

Internal connections

Frame sizes 63 to 100 have three terminals suitable for DOL starting. Frame sizes 132 to 315 have six terminals suitable for DOL or Star/Delta starting.

VVVF drive selection

E2AD/E3AD Ex d hazardous location motors require thermistors when used in conjunction with VVVF drive to ensure the temperature rise remains below the certified T4 level. Exd/VVVF drive packages are available including a force ventilation option on request.

Bearing

Bearings fitted are deep groove ball type and are the same size both ends on frames 63 to 132. 315 Frame motors have a deep groove ball type bearing on the Non Drive end, with a deep groove ball bearing on the drive end for 2 Pole motors, and a cylindrical roller bearing for 4, 6, and 8 Pole motors. Frames 80 to 180 have sealed for life bearings. Frames 200 to 315 have open bearings that are capable of being replenished via grease nipples.

Frame Size	DE		NDE	
	2P	4P	2P	4P
63	6201		6201	
71	6202		6202	
80	6204		6204	
90	6205		6205	
100	6206		6206	
112	6206		6206	
132	6208		6208	
160	6209	6309	6209	
180	6211	6311	6211	
200	6212	6312	6212	
225	6312	6313	6312	
250	6313	6314	6313	
280	6314	6317	6314	
315	6316	6319	6316	6319
355	6319	6322	6319	6322

Paint finish

Motors are painted with a high quality enamel finish. The standard colour is Bright Red Orange (RAL 2008), with other colours available on request.

Gaseous Hazards

Explosive gas atmospheres are classified into zones based on the frequency and duration of their occurrence as below:

- Zone 0: an area in which an explosive gas atmosphere is present continuously, for long periods, or is present frequently.
- Zone 1: an area in which an explosive gas atmosphere is likely to occur in normal operation occasionally.
- Zone 2: an area in which an explosive gas atmosphere is not likely to occur in normal operation, and if it does occur it will exist for a short period only.

Electrical apparatus for potentially explosive atmospheres is divided into the following groups.

Group I : mines susceptible to fire damp (methane)

Group II : other industries

High surface temperatures can cause ignition of flammable gases or vapors therefore the surface temperature of equipment in hazardous areas must not exceed the ignition temperature of these gases or vapors.

Group I : electrical equipment may not have a surface temperature that exceeds 150°C where coal dust can form a layer, and 450°C for internal surfaces where the above risk is avoided by sealing against ingress or dust.

Group II : electrical equipment may not have a surface temperature that exceeds its specified temperature class, as listed in the table below:

Temperature class of electrical equipment	Maximum surface temperature of electrical equipment	Ignition temperature of gas or vapor
T1	≤450°C	>450°C
T2	≤300°C	>300°C
T3	≤200°C	>200°C
T4	≤135°C	>135°C
T5	≤100°C	>100°C
T6	≤85°C	>85°C

Electrical apparatus of Group II may be subdivided according to the nature of the potentially explosive atmosphere for which it is intended.

Group specification and characteristics of some common flammable liquids, gases, and vapors are listed in the table below:

Material	Bolling point [°C]	Flash point [°C]	Ignition temp. [°C]	Gas group
Acetone	56	-20	465	IIA
Acetylene	-83	Gas	305	IIC
Ammonia	-33	Gas	651	IIA
Benzene	80	12	498	IIA
Butane	-1	Gas	287	IIA
Carbon-Monoxide	-192	Gas	609	IIA
Ethane	-89	Gas	472	IIA
Ethyl Alcohol	78	55	363	IIA
Ethylene	-104	Gas	450	IIB
Haptane	98	-4	204	IIA
Hydrogen	-252	Gas	500	IIC
Hydrogen cyanide	26	-18	538	IIB
Methane	-162	Gas	537	IIA
Propane	-42	Gas	432	IIA
Toluene	111	4	480	IIA

Note: The data given in this table is derived from NFPA 325M. Flashpoint is the lowest temperature at which a material gives off sufficient vapor to form an explosive gas / air mixture in the air immediately above the surface.

Equipment within a specific group may only be used within a location with an equal or less level of hazard. Allowable groups are summarized in the table below:

Gas group	Allowable equipment group
IIA	IIA, IIB, IIC
IIB	IIB, IIC
IIC	IIC



PT ARSINDO INTEGRASI POMPA

Jl. Bawang 54B, Cimuning,
Bekasi 17155, West Java

www.ptarsindo.com

email: info@ptarsindo.com

WA: 0818 480 448

Dual certification

Ex d/de motors can also be used for Dust/Ex t applications in zone 21. The following combinations are possible:

- Ex tb IIIB T125 °C Db, IP 65 for zone 21 + Ex d/de IIB/C T3 Gb
- Ex tb IIIC T125 °C Db, IP 65 for zone 21 + Ex d/de IIB/C T3 Gb

ExtD Dust Proof

Dust-excluding ignition proofing (Ex tD) type of protection describes electrical equipment which is enclosed so that it excludes dust, and which will not permit arcs, sparks or heat otherwise generated or liberated inside the enclosure to cause ignition of exterior accumulations or atmospheric suspensions of a specific dust on or in the vicinity of the enclosure.

Dust-excluding ignition proofed (Ex tD) motors are suitable for Zone 21 and 22 dust laden hazardous areas, and CMP Australia provides for a temperature class of T4 (135°C) in a 50°C ambient.

Combustible dust hazards

Many dusts which are generated, processed, handled and stored, are combustible. When ignited, they can burn rapidly and with considerable explosive force if mixed with air in the appropriate proportions. Electrical apparatus used in locations where this hazard is present, requires adequate protection so as to reduce the likelihood of ignition of the external explosive atmosphere.

Areas where dusts, flyings and fibres in air occur in dangerous quantities are classified as hazardous and are divided into three zones according to the level of risk.

Zone 20: An area in which combustible dust, as a cloud, is present continuously or frequently during normal operation, in sufficient quantity to be capable of producing an explosive dust/air mixture, and/or where layers of dust of uncontrollable and excessive thickness can be formed.

Zone 21: An area not classified as Zone 20 in which combustible dust, as a cloud, is likely to occur during normal operation, in sufficient quantities to be capable of producing an explosive dust/air mixture.

Zone 22: An area not classified as Zone 21 in which combustible dust clouds may occur infrequently, and persist for only a short period, or in which accumulations or layers of combustible dust may be present under abnormal conditions and give rise to combustible dust/air mixtures. Where, following an abnormal condition, the removal of dust accumulations or layers cannot be assured then the area is to be classified.

Ignition protection is based on the limitation of the maximum surface temperature of the enclosure and on other surfaces which could be in contact with dust and on the restriction of dust ingress into the enclosure by the use of dust tight or dust protected enclosures.

The following table summarizes the relationship between temperature class, surface temperature and cloud or layer ignition temperature (whichever is the lower)

Temperature class of electrical equipment	Maximum surface temperature of electrical equipment	Cloud or layer ignition temperature of dust
T1	≤450°C	≥500°C
T2	≤300°C	≥350°C
T3	≤200°C	≥250°C
T4	≤135°C	≥185°C
T5	≤100°C	≥150°C
T6	≤85°C	≥135°C

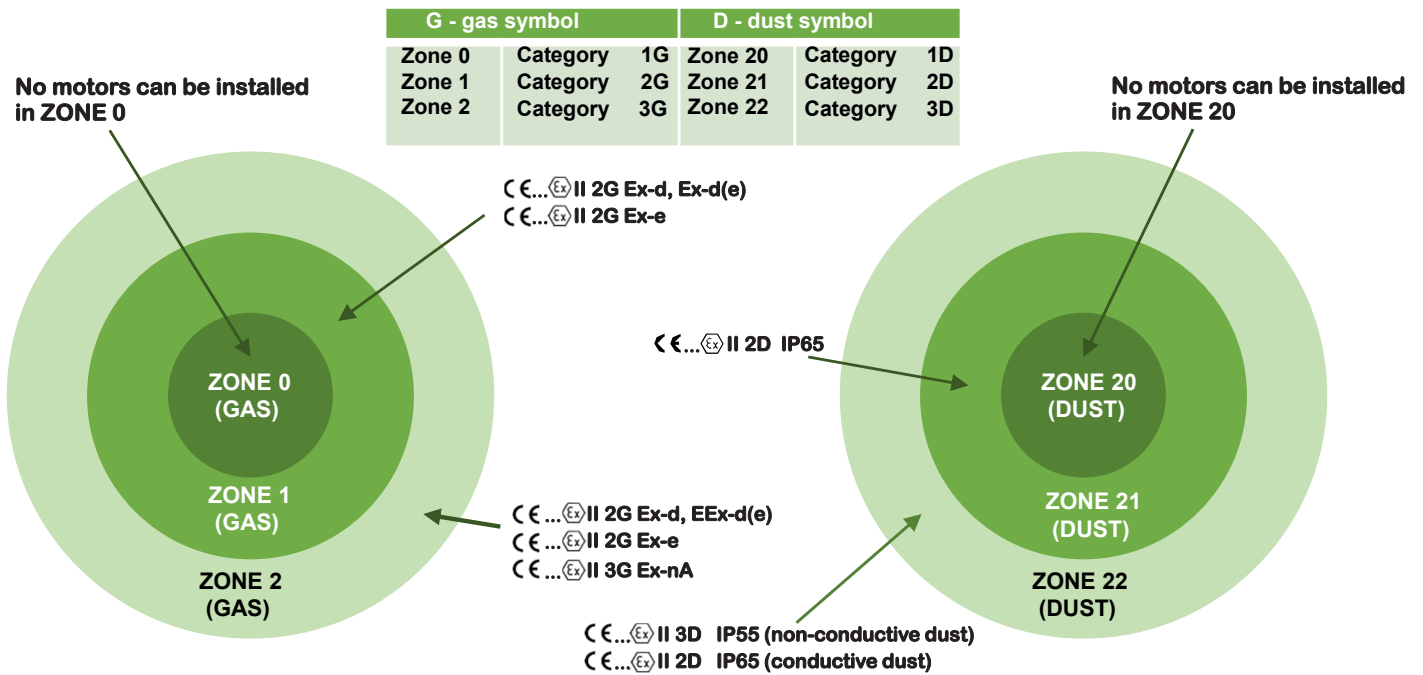
Specifications and characteristics of some common combustible dusts are listed in the table below:

Material	Minimum ignition [mJ]	Ignition Temperature	
		Cloud [°C]	Layer [°C]
Aluminium	15	550	740
Cellulose	80	480	270
Com	40	400	250
Flax	80	230	430
Polypropylene	30	420	--
Rayon	2400	520	250
Rice	50	440	220
Rubber-(synthetic)	30	320	--
Sugar	30	370	400
Wheat flour	50	380	360

ATEX Categories Explanation

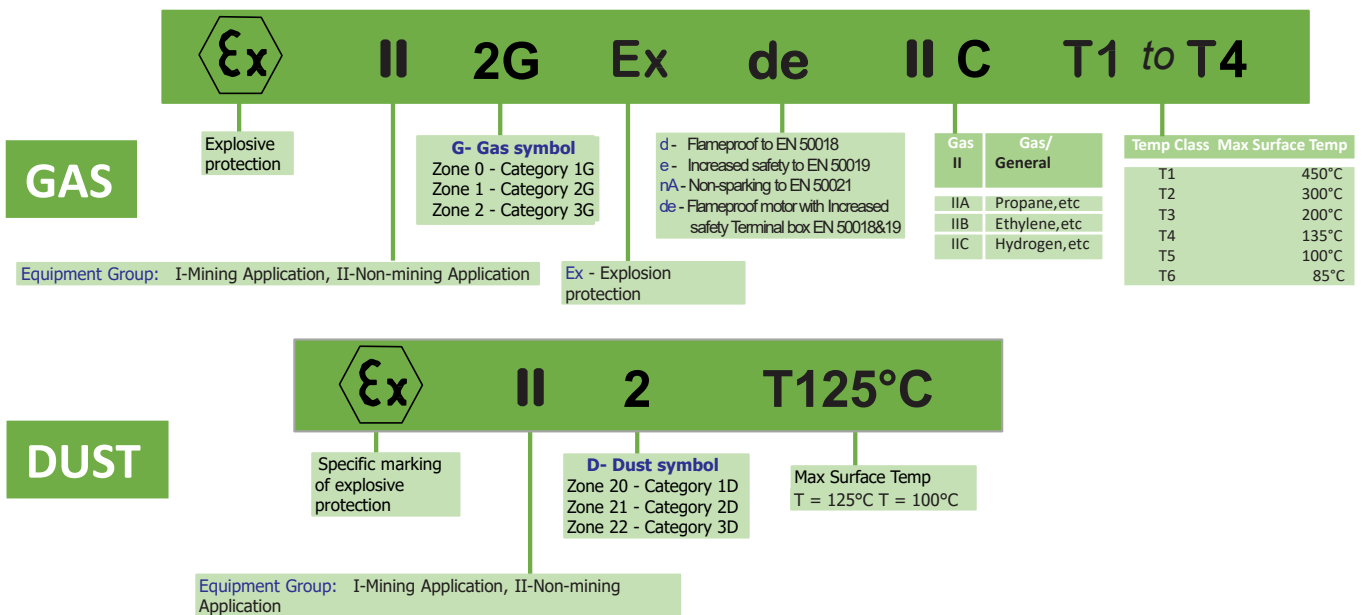
Electric Motors for GAS Explosive Atmospheres

Electric Motors for DUST Explosive Atmospheres



GAS		DUST	
Zone 0	Explosive Gases present continuously	Zone 20	Explosive Dust Atmosphere present continuously
Zone 1	Explosive Gases likely to occur in normal service	Zone 21	Explosive Dust Atmosphere likely to occur in normal service
Zone 2	Explosive Gases unlikely to occur and would be infrequent and short term	Zone 22	Explosive Dust Atmosphere unlikely to occur and would be infrequent and short term

ATEX Marking of equipment protection



PERFORMANCE DATA IE2

PERFORMANCE DATA IE2

FRAME	Output Power		Full load Current (A)			Speed r/min	Eff %	Power Factory φ	Torque			Current	Weight
	KW	HP	380V	400V	415V				Full Load (Nm)	Locked rotor Tst/Tn	Max torque Tmax/TN	Locked rotor Ist/In	Kg
3000 RPM = 2 POLES													
E2AD 63M1-2	0.18	0.25	0.52	0.50	0.48	2720	66.0	0.80	0.66	2.2	2.3	5.0	14
E2AD 63M2-2	0.25	0.33	0.69	0.66	0.63	2720	68.0	0.81	0.94	2.2	2.3	5.0	15
E2AD 71M1-2	0.37	0.5	1.0	0.94	0.91	2740	70.0	0.81	1.34	2.2	2.3	5.5	17
E2AD 71M2-2	0.55	0.75	1.4	1.3	1.3	2740	73.0	0.83	2.0	2.2	2.3	5.5	20
E2AD 80M1-2	0.75	1.0	1.8	1.7	1.6	2875	77.4	0.83	2.5	2.2	2.3	6.0	24
E2AD 80M2-2	1.1	1.5	2.5	2.4	2.3	2875	79.6	0.84	3.7	2.2	2.3	6.0	25
E2AD 90S-2	1.5	2.0	3.3	3.2	3.0	2890	81.3	0.84	5.0	2.2	2.3	7.0	35
E2AD 90L-2	2.2	3.0	4.7	4.5	4.3	2890	83.2	0.85	7.4	2.2	2.3	7.0	38
E2AD 100L-2	3	4.0	6.2	5.9	5.7	2891	84.6	0.87	10.0	2.2	2.3	7.0	44
E2AD 112M-2	4	5.5	8.0	7.6	7.4	2914	85.8	0.88	13.3	2.2	2.3	7.0	46
E2AD 132S1-2	5.5	7.5	11.2	10.6	10.2	2918	87.0	0.88	18.1	2.2	2.3	7.5	81
E2AD 132S2-2	7.5	10	14.6	13.9	13.4	2920	88.1	0.88	24.7	2.2	2.4	7.5	89
E2AD 160M1-2	11	15	21.0	20.0	19.2	2930	89.4	0.89	35.9	2.2	2.4	7.5	142
E2AD 160M2-2	15	20	28.4	26.9	26.0	2930	90.3	0.89	48.9	2.2	2.4	7.5	152
E2AD 160L-2	18.5	25	34.7	33.0	31.8	2937	90.9	0.89	60.3	2.2	2.4	7.5	169
E2AD 180M-2	22	30	41.6	39.5	38.1	2940	91.3	0.89	71.5	2.0	2.3	7.5	227
E2AD 200L 1-2	30	40	56.2	53.4	51.5	2950	92.0	0.88	97.1	2.0	2.4	7.5	265
E2AD 200L2-2	37	50	68.2	64.8	62.5	2950	92.5	0.89	120	2.0	2.4	7.5	275
E2AD 225M-2	45	60	82.5	78.4	75.6	2960	92.9	0.89	145	2.0	2.3	7.6	340
E2AD 250M-2	55	75	99.5	94.8	91.1	2965	93.2	0.90	177	2.1	2.3	7.6	477
E2AD 280S-2	75	100	135	128	123	2970	93.8	0.90	241	2.0	2.3	7.5	655
E2AD 260M-2	90	120	160	152	146	2970	94.1	0.91	289	2.1	2.3	7.5	733
E2AD 315S-2	110	150	194	185	178	2970	94.3	0.91	353	1.8	2.3	7.0	1140
E2AD 315M-2	132	180	233	221	213	2975	94.6	0.91	424	1.8	2.3	7.0	1170
E2AD 315L1-2	160	220	278	265	255	2975	94.8	0.92	514	1.8	2.3	7.0	1385
E2AD 315L2-2	200	270	348	330	318	2975	95.0	0.92	642	1.8	2.3	7.0	1610
E2AD 355M1-2	220	300	383	364	351	2985	95.0	0.92	704	1.6	2.4	7.0	1680
E2AD 355M2-2	250	340	434	412	398	2980	95.0	0.92	801	1.6	2.4	7.0	1720
E2AD 355L 1-2	280	380	485	461	444	2985	95.0	0.92	896	1.6	2.4	7.0	1780
E2AD 355L2-2	315	430	547	520	501	2980	95.0	0.92	1010	1.6	2.4	7.0	1850

PERFORMANCE DATA IE2

FRAME	Output Power		Full load Current (A)			Speed r/min	Eff %	Power Factory φ	Torque			Current	Weight
	KW	HP	380V	400V	415V				Full Load (Nm)	Locked rotor Tst/Tn	Max torque Tmax/TN	Locked rotor Ist/In	Kg
1500 RPM = 4 POLES													
E2AD 63M2-4	0.18	0.25	0.60	0.57	0.55	1310	63.0	0.73	1.37	2.2	2.3	4.0	16
E2AD 71M1-4	0.25	0.33	0.78	0.74	0.71	1330	66.0	0.74	1.87	2.2	2.3	4.0	17
E2AD 71M2-4	0.37	0.5	1.09	1.03	1.00	1330	69.0	0.75	2.77	2.2	2.3	4.0	19
E2AD 80M1-4	0.55	0.75	1.5	1.4	1.3	1390	75.0	0.75	3.8	2.3	2.3	6.3	24
E2AD 80M2-4	0.75	1.0	1.9	1.8	1.7	1400	79.6	0.76	5.2	2.3	2.3	6.0	27
E2AD 90S-4	1.1	1.5	2.7	2.5	2.4	1440	81.4	0.75	7.5	2.3	2.3	6.0	34
E2AD 90L-4	1.5	2.0	3.6	3.4	3.3	1445	82.8	0.75	10.2	2.3	2.3	6.0	38
E2AD 100L 1-4	2.2	3.0	4.9	4.6	4.5	1440	84.3	0.81	14.8	2.3	2.3	7.0	46
E2AD 100L2-4	3	4.0	6.5	6.2	6.0	1440	85.5	0.82	20.2	2.3	2.3	7.0	51
E2AD 112M-4	4	5.5	8.6	8.1	7.8	1445	86.6	0.82	26.5	2.3	2.3	7.0	68
E2AD 132S-4	5.5	7.5	11.5	10.9	10.5	1445	87.7	0.82	36.5	2.3	2.3	7.0	85
E2AD 132M-4	7.5	10	15.3	14.5	14.0	1445	88.7	0.83	49.7	2.3	2.3	7.0	105
E2AD 160M-4	11	15	22.1	21.0	20.3	1460	89.8	0.85	72.0	2.2	2.3	7.0	150
E2AD 160L-4	15	20	29.6	28.1	27.1	1460	90.6	0.86	98.1	2.2	2.3	7.5	171
E2AD 180M-4	18.5	25	35.8	34.0	32.8	1470	91.2	0.86	121	2.2	2.3	7.5	211
E2AD 180L-4	22	30	42.3	40.2	38.8	1470	91.6	0.86	143	2.2	2.3	7.5	224
E2AD 200L-4	30	40	57.3	54.4	52.5	1470	92.3	0.86	195	2.2	2.3	7.2	290
E2AD 225S-4	37	50	69.7	66.2	63.8	1480	92.7	0.86	240	2.2	2.3	7.2	346
E2AD 225M-4	45	60	84.3	80.1	77.2	1480	93.1	0.86	291	2.2	2.3	7.2	358
E2AD 250M-4	55	75	103	97.5	94.0	1480	93.5	0.86	356	2.2	2.3	7.2	492
E2AD 280S-4	75	100	139	132	127	1480	94.0	0.88	484	2.2	2.3	7.2	670
E2AD 280M-4	90	120	167	158	153	1480	94.2	0.88	581	2.2	2.3	6.9	743
E2AD 315S-4	110	150	201	191	184	1485	94.5	0.88	710	2.1	2.2	6.9	986
E2AD 315M-4	132	180	241	229	220	1485	94.7	0.88	852	2.1	2.2	6.9	1070
E2AD 315L1-4	160	220	288	273	263	1485	94.9	0.89	1032	2.1	2.2	6.9	1350
E2AD 315L2-4	200	270	359	341	328	1485	95.1	0.89	1291	2.1	2.2	6.9	1572
E2AD 355M1-4	220	300	390	371	357	1490	95.1	0.90	1410	2.1	2.2	6.9	1690
E2AD 355M2-4	250	340	443	421	406	1490	95.1	0.90	1602	2.1	2.2	6.9	1750
E2AD 355L1-4	280	380	495	470	453	1490	95.1	0.90	1795	2.1	2.2	6.9	1800
E2AD 355L2-4	315	430	559	531	511	1490	95.1	0.90	2019	2.1	2.2	6.9	1850

PERFORMANCE DATA IE2

PERFORMANCE DATA IE2

FRAME	Output Power		Full load Current (A)			Speed r/min	Eff %	Power Factory φ	Torque			Current	Weight
	KW	HP	380V	400V	415V				Full Load (Nm)	Locked rotor Tst/Tn	Max torque Tmax/TN	Locked rotor Ist/In	Kg
1000 RPM = 6 POLES													
E2AD 71M1-6	0.18	0.25	0.67	0.64	0.61	850	62.0	0.66	2.11	1.9	2.1	4.0	18
E2AD 71M2-6	0.25	0.33	0.89	0.84	0.81	850	63.0	0.68	2.93	1.9	2.1	4.0	19
E2AD 80M1-6	0.37	0.5	1.3	1.2	0.7	910	63.0	0.70	3.9	1.9	2.1	4.0	20
E2AD 80M2-6	0.55	0.75	1.5	1.4	0.9	910	75.4	0.72	5.8	1.9	2.1	4.0	25
E2AD 90S-6	0.75	1.0	2.1	2.0	1.9	934	75.9	0.72	7.7	2.0	2.1	5.5	39
E2AD 90L-6	1.1	1.5	3.0	2.8	2.7	945	78.1	0.72	11.1	2.0	2.1	5.5	41
E2AD 100L-6	1.5	2.0	3.8	3.6	3.5	960	79.8	0.75	15.2	2.0	2.1	5.5	45
E2AD 112M-6	2.2	3.0	5.4	5.1	4.9	964	81.8	0.76	21.9	2.0	2.1	6.5	57
E2AD 132S-6	3	4.0	7.2	6.8	6.6	965	83.3	0.76	29.7	2.1	2.1	6.5	84
E2AD 132M1-6	4	5.5	9.4	9.0	8.6	965	84.6	0.76	39.6	2.1	2.1	6.5	92
E2AD 132M2-6	5.5	7.5	12.6	12.0	11.5	970	86.0	0.76	54.4	2.1	2.1	6.5	104
E2AD 160M-6	7.5	10	16.7	15.9	15.3	970	87.2	0.77	73.8	2.0	2.1	8.5	171
E2AD 160L-6	11	15	24.8	23.5	22.7	975	88.7	0.78	108	2.0	2.1	6.5	180
E2AD 180L-6	15	20	31.4	29.8	28.7	980	89.7	0.81	147	2.0	2.1	7.0	230
E2AD 200L 1-6	18.5	25	38.3	36.4	35.1	980	90.4	0.81	180	2.1	2.1	7.0	309
E2AD 200L2-6	22	30	44.3	42.0	40.5	980	90.9	0.83	214	2.1	2.1	7.0	320
E2AD 225M-6	30	40	59.2	56.2	54.2	980	91.7	0.84	292	2.0	2.1	7.0	364
E2AD 250M-6	37	50	70.8	67.3	64.8	980	92.2	0.86	361	2.1	2.1	7.0	535
E2AD 280S-6	45	60	85.8	81.5	78.5	980	92.7	0.86	439	2.1	2.0	7.0	643
E2AD 280M-6	55	75	104	99.2	95.6	980	93.1	0.86	536	2.1	2.0	7.0	735
E2AD 315S-6	75	100	141	134	129	985	93.7	0.86	727	2.0	2.0	7.0	1095
E2AD 315M-6	90	120	169	160	155	985	94.0	0.86	873	2.0	2.0	7.0	1153
E2AD 315L1-6	110	150	206	196	189	985	94.3	0.86	1066	2.0	2.0	6.7	1330
E2AD 315L2-6	132	180	243	231	223	985	94.6	0.87	1280	2.0	2.0	6.7	1485
E2AD 355S-6	160	220	291	277	267	990	94.8	0.88	1543	1.9	2.0	6.7	1610
E2AD 355M1-6	185	250	336	321	310	990	95.0	0.88	1785	1.9	2.0	6.7	1750
E2AD 355M2-6	200	270	363	345	333	990	95.0	0.88	1929	1.9	2.0	6.7	1770

PERFORMANCE DATA IE2

FRAME	Output Power		Full load Current (A)			Speed r/min	Eff %	Power Factory φ	Torque			Current	Weight
	KW	HP	380V	400V	415V				Full Load (Nm)	Locked rotor Tst/Tn	Max torque Tmax/TN	Locked rotor Ist/In	Kg
750 RPM = 8 POLES													
E2AD 80M1-8	0.18	0.25	0.88	0.84	0.8	650	51.0	0.61	2.6	1.8	1.9	3.3	20
E2AD 80M2-8	0.25	0.37	1.15	1.1	1.06	650	54.0	0.61	3.7	1.8	1.9	3.3	22
E2AD 90S-8	0.37	0.5	1.49	1.41	1.36	660	62.0	0.61	5.4	1.8	1.9	4.0	28
E2AD 90L-8	0.55	0.75	2.17	2.07	1.99	660	63.0	0.61	8.0	1.8	2.0	4.0	30
E2AD 100L1-8	0.75	1.0	2.4	2.28	2.19	690	71.0	0.67	10.4	1.8	2.0	4.0	40
E2AD 100L2-8	1.1	1.5	3.32	3.15	3.04	690	73.0	0.69	15.2	1.8	2.0	5.0	46
E2AD 112M-8	1.5	2.2	4.40	4.18	4.03	700	75.0	0.69	20.5	1.8	2.0	5.0	57
E2AD 132S-8	2.2	3.0	6.04	5.73	5.53	710	78.0	0.71	29.6	1.8	2.0	6.0	83
E2AD 132M-8	3	4.0	7.90	7.51	7.24	710	79.0	0.73	40.4	1.8	2.0	6.0	95
E2AD 160M1-8	4	5.5	10.3	9.8	9.4	720	81.0	0.73	53.1	1.9	2.0	6.0	158
E2AD 160M2-8	5.5	7.5	13.6	12.9	12.5	720	83.0	0.74	73.0	2.0	2.0	6.0	180
E2AD 160L-8	7.5	10	17.8	16.9	16.3	720	85.5	0.75	99.5	2.0	2.0	6.0	181
E2AD 180L-8	11	15	25.1	23.9	23.0	730	87.5	0.76	144	2.0	2.0	6.6	228
E2AD 200L-8	15	20	34.1	32.4	31.2	730	88.0	0.76	196	2.0	2.0	6.6	335
E2AD 225S-8	18.5	25	41.1	39.0	37.6	730	90.0	0.76	242	1.9	2.0	6.6	371
E2AD 225M-8	22	30	47.4	45.0	43.3	730	90.5	0.78	288	1.9	2.0	6.6	398
E2AD 250M-8	30	40	63.4	60.2	58.1	735	91.0	0.79	390	1.9	2.0	6.6	522
E2AD 280S-8	37	50	77.8	73.9	71.2	735	91.5	0.79	481	1.9	2.0	6.6	626
E2AD 280M-8	45	60	94.1	89.4	86.1	735	92.0	0.79	585	1.9	2.0	6.6	722
E2AD 315S-8	55	75	111	106	102	735	92.8	0.81	715	1.8	2.0	6.6	955
E2AD 315M-8	75	100	151	144	139	735	93.0	0.81	975	1.8	2.0	6.6	1160
E2AD 315L1-8	90	120	178	169	163	740	93.8	0.82	1162	1.8	2.0	6.6	1238
E2AD 315L2-8	110	150	217	206	199	740	94.0	0.82	1420	1.8	2.0	6.4	1362
E2AD 355S-8	132	180	261	248	239	740	94.0	0.82	1704	1.8	2.0	6.4	1620
E2AD 355M-8	160	220	315	299	288	740	94.2	0.82	2065	1.8	2.0	6.4	1710
E2AD 355L1-8	185	250	362	344	332	740	94.5	0.82	2388	1.8	2.0	6.4	1900
E2AD 355L2-8	200	270	387	368	355	740	94.5	0.82	2581	1.8	2.0	6.4	2000

PERFORMANCE DATA IE3

PERFORMANCE DATA IE3

FRAME	Output Power		Full load Current (A)			Speed r/min	Eff %	Power Factory φ	Torque			Current	Weight
	KW	HP	380V	400V	415V				Full Load (Nm)	Locked rotor Tst/Tn	Max torque Tmax/TN	Locked rotor Ist/In	Kg
3000 RPM = 2 POLES													
E3AD 80M1-2	0.75	1.0	1.8	1.7	1.6	2880	80.7	0.83	2.5	2.2	2.3	6.0	26
E3AD 80M2-2	1.1	1.5	2.4	2.3	2.2	2880	82.7	0.84	3.7	2.2	2.3	6.0	30
E3AD 90S-2	1.5	2.0	3.2	3.1	3.0	2890	84.2	0.84	5.0	2.2	2.3	7.0	38
E3AD 90L-2	2.2	3.0	4.6	4.4	4.2	2890	85.9	0.85	7.4	2.2	2.3	7.0	40
E3AD 100L-2	3	4.0	5.9	5.6	5.4	2895	87.1	0.87	10.0	2.2	2.3	7.0	54
E3AD 112M-2	4	5.5	7.8	7.5	7.2	2905	88.1	0.88	13.3	2.2	2.3	7.0	72
E3AD 132S 1-2	5.5	7.5	10.6	10.1	9.8	2930	89.2	0.88	18.1	2.2	2.3	7.5	92
E3AD 132S2-2	7.5	10	14.4	13.7	13.2	2930	90.1	0.88	24.7	2.2	2.4	7.5	99
E3AD 160M 1-2	11	15	20.4	19.3	18.6	2930	91.2	0.89	35.9	2.2	2.4	7.5	145
E3AD 160M2-2	15	20	27.9	26.5	25.6	2940	91.9	0.89	48.9	2.2	2.4	7.5	154
E3AD 160L-2	18.5	25	34.1	32.4	31.3	2940	92.4	0.89	60.3	2.2	2.4	7.5	165
E3AD 180M-2	22	30	40.1	38.1	36.7	2945	92.7	0.88	71.5	2.0	2.3	7.5	260
E3AD 200L 1-2	30	40	55.5	52.7	50.8	2950	93.3	0.88	97.1	2.0	2.4	7.5	297
E3AD 200L2-2	37	50	65.9	62.6	60.3	2960	93.7	0.89	120	2.0	2.4	7.5	323
E3AD 225M-2	45	60	82.5	78.4	75.5	2960	94.0	0.89	145	2.0	2.3	7.5	457
E3AD 250M-2	55	75	98.5	93.5	90.2	2970	94.3	0.90	177	2.1	2.3	7.5	518
E3AD 280S-2	75	100	134	127	122	2975	94.7	0.90	241	2.0	2.3	7.5	693
E3AD 280M-2	90	120	162	153	148	2975	95.0	0.91	289	2.1	2.3	7.5	756
E3AD 315S-2	110	150	195	185	179	2978	95.2	0.91	353	1.8	2.3	7.0	1174
E3AD 315M-2	132	180	231	219	212	2978	95.4	0.91	424	1.8	2.3	7.0	1328
E3AD 315L 1-2	160	220	283	268	259	2980	95.6	0.92	514	1.8	2.3	7.0	1371
E3AD 315L2-2	200	270	345	328	316	2980	95.8	0.92	642	1.8	2.3	7.0	1446
E3AD 355M 1-2	220	300	379	360	347	2985	95.8	0.92	704	1.6	2.4	7.0	1705
E3AD 355M2-2	250	340	431	409	394	2982	95.8	0.92	801	1.6	2.4	7.0	1705
E3AD 355L 1-2	280	380	483	459	442	2985	95.8	0.92	896	1.6	2.4	7.0	1915
E3AD 355L2-2	315	430	543	516	497	2982	95.8	0.92	1010	1.6	2.4	7.0	2068

PERFORMANCE DATA IE3

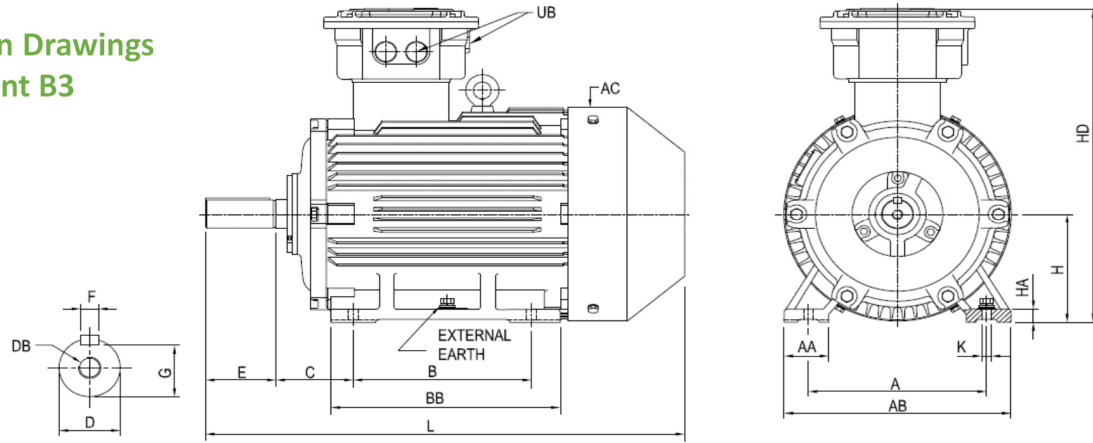
FRAME	Output Power		Full load Current (A)			Speed r/min	Eff %	Power Factory φ	Torque			Current	Weight
	KW	HP	380V	400V	415V				Full Load (Nm)	Locked rotor Tst/Tn	Max torque Tmax/TN	Locked rotor Ist/In	Kg
1500 RPM = 4 POLES													
E3AD 80M2-4	0.75	1.0	1.9	1.8	1.7	1420	82.5	0.74	5.0	2.3	2.3	6.0	29
E3AD 90S-4	1.1	1.5	2.7	2.6	2.5	1440	84.1	0.74	7.3	2.3	2.3	6.0	37
E3AD 90L-4	1.5	2.0	3.6	3.4	3.3	1445	85.3	0.74	9.9	2.3	2.3	6.0	38
E3AD 100L 1-4	2.2	3.0	4.9	4.7	4.5	1440	86.7	0.78	14.6	2.3	2.3	7.0	56
E3AD 100L2-4	3	4.0	6.6	6.3	6.0	1440	87.7	0.78	20.2	2.3	2.3	7.0	60
E3AD 112M-4	4	5.5	8.6	8.1	7.8	1445	88.6	0.80	26.5	2.3	2.3	7.0	78
E3AD 132S-4	5.5	7.5	11.6	11.1	10.7	1460	89.6	0.80	36.0	2.3	2.3	7.0	99
E3AD 132M-4	7.5	10	15.3	14.6	14.0	1460	90.4	0.82	49.1	2.3	2.3	7.0	110
E3AD 160M-4	11	15	22.3	21.2	20.4	1460	91.4	0.82	71.7	2.2	2.3	7.0	150
E3AD 160L-4	15	20	30.1	28.6	27.6	1465	92.1	0.82	97.8	2.2	2.3	7.5	162
E3AD 180M-4	18.5	25	36.1	34.3	33.1	1470	92.6	0.84	120	2.2	2.3	7.5	253
E3AD 180L-4	22	30	42.3	40.2	38.7	1470	93.0	0.85	143	2.2	2.3	7.5	275
E3AD 200L-4	30	40	56.5	53.7	51.7	1470	93.6	0.86	194	2.2	2.3	7.2	309
E3AD 225S-4	37	50	69.5	66.1	63.7	1480	93.9	0.86	238	2.2	2.3	7.2	390
E3AD 225M-4	45	60	83.2	79.1	76.2	1480	94.2	0.87	289	2.2	2.3	7.2	422
E3AD 250M-4	55	75	101	96.2	92.7	1480	94.6	0.87	354	2.2	2.3	7.2	536
E3AD 280S-4	75	100	138	131	126	1480	95.0	0.87	483	2.2	2.3	7.2	777
E3AD 280M-4	90	120	165	157	151	1480	95.2	0.87	578	2.2	2.3	7.2	885
E3AD 315S-4	110	150	199	189	182	1485	95.4	0.87	706	2.1	2.2	6.9	1195
E3AD 315M-4	132	180	238	226	218	1485	95.6	0.88	847	2.1	2.2	6.9	1324
E3AD 315L 1-4	160	220	288	274	264	1485	95.8	0.88	1027	2.1	2.2	6.9	1397
E3AD 315L2 -4	200	270	360	342	329	1485	96.0	0.88	1282	2.1	2.2	6.9	1507
E3AD 355M1-4	220	300	387	368	354	1490	96.0	0.90	1410	2.1	2.2	6.9	1804
E3AD 355M2-4	250	340	449	427	411	1490	96.0	0.88	1602	2.1	2.2	6.9	1865
E3AD 355L 1-4	280	380	495	470	453	1490	96.0	0.90	1795	2.1	2.2	6.9	2061
E3AD 355L2 -4	315	430	567	538	519	1490	96.0	0.88	2019	2.1	2.2	6.9	2174

PERFORMANCE DATA IE3

PERFORMANCE DATA IE3

FRAME	Output Power		Full load Current (A)			Speed r/min	Eff %	Power Factory φ	Torque			Current	Weight
	KW	HP	380V	400V	415V				Full Load (Nm)	Locked rotor Tst/Tn	Max torque Tmax/TN	Locked rotor Ist/In	Kg
1000 RPM = 6 POLES													
E3AD 90S-6	0.75	1.0	2.4	2.3	2.2	935	78.9	0.61	7.7	2.1	2.1	5.5	35
E3AD 90L-6	1.1	1.5	3.0	2.8	2.7	945	81.0	0.69	11.1	2.1	2.1	5.5	37
E3AD 100L-6	1.5	2.0	4.0	3.8	3.7	950	82.5	0.69	15.2	2.1	2.1	5.5	55
E3AD 112M-6	2.2	3.0	5.6	5.3	5.1	955	84.3	0.71	22.0	2.1	2.1	6.5	67
E3AD 132S-6	3	4.0	7.5	7.1	6.8	965	85.6	0.71	29.6	2.1	2.1	6.5	88
E3AD 132M1-6	4	5.5	9.8	9.4	9.0	965	86.8	0.71	39.5	2.0	2.1	6.5	95
E3AD 132M2-6	5.5	7.5	12.6	12.0	11.6	970	88.0	0.75	54.3	2.0	2.1	6.5	104
E3AD 160M-6	7.5	10	16.6	15.7	15.2	970	89.1	0.77	73.8	2.0	2.1	6.5	140
E3AD 160L-6	11	15	23.4	22.2	21.4	978	90.3	0.79	108	2.1	2.1	6.5	165
E3AD 180L-6	15	20	30.8	29.3	28.2	980	91.2	0.81	147	2.1	2.1	7.0	236
E3AD 200L1-6	18.5	25	37.8	35.9	34.6	980	91.7	0.81	180	2.1	2.1	7.0	259
E3AD 200L2-6	22	30	43.6	41.4	40.0	985	92.2	0.83	214	2.1	2.1	7.0	302
E3AD 225M-6	30	40	58.3	55.4	53.4	985	92.9	0.84	292	2.0	2.1	7.0	390
E3AD 250M-6	37	50	71.7	68.1	65.7	985	93.3	0.84	359	2.1	2.1	7.0	510
E3AD 280S-6	45	60	85.8	81.5	78.5	985	93.7	0.85	436	2.1	2.0	7.0	709
E3AD 280M-6	55	75	104	99.1	95.6	988	94.1	0.85	533	2.1	2.0	7.0	786
E3AD 315S-6	75	100	142	135	130	988	94.6	0.85	727	2.0	2.0	7.0	1155
E3AD 315M-6	90	120	169	161	155	988	94.9	0.85	869	2.0	2.0	7.0	1277
E3AD 315L 1-6	110	150	204	194	187	988	95.1	0.86	1063	2.0	2.0	6.7	1375
E3AD 315L2-6	132	180	244	232	224	988	95.4	0.86	1276	2.0	2.0	6.7	1467
E3AD 355M 1-6	160	220	296	281	271	990	95.6	0.87	1543	2.0	2.0	6.7	1815
E3AD 355M2-6	185	250	339	317	306	990	95.7	0.88	1785	1.9	2.0	6.7	1866
E3AD 355M3-6	200	270	360	342	330	990	95.8	0.88	1929	2.0	2.0	6.7	1900
E3AD 355L 1-6	220	300	396	377	363	990	95.8	0.88	2122	1.9	2.0	6.7	2070
E3AD 355L2-6	250	340	451	428	413	990	95.8	0.88	2412	2.0	2.0	6.7	2180

Dimension Drawings
Foot Mount B3

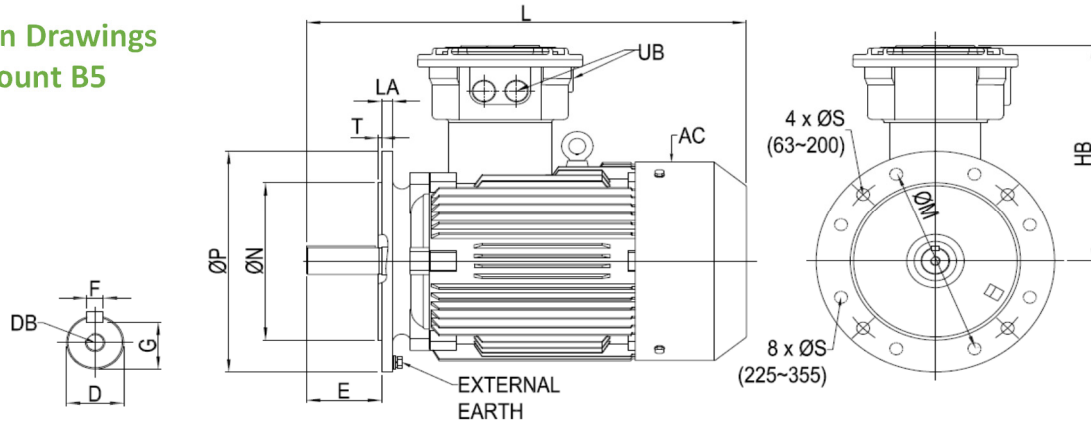


DIMENSION DRAWING B3

FRAME	A	B	C	D	DB	E	F	G	H	K	AA	AB	AC	BB	UB	HA	HD	L
63M	100	80	40	11	M4	23	4	8.5	63	7	23	125	125	105	2xM25,1xM20	6	240	245
71M	112	90	45	14	M5	30	5	11	71	7	28	140	143	114	2xM25,1xM20	7	270	270
80M	125	100	50	19	M6	40	6	15.5	80	10	34	165	165	130	2xM25,1xM20	10	320	330
90S	140	100	56	24	M8	50	8	20	90	10	36	180	180	130	2xM25,1xM20	14	350	360
90L	140	125	56	24	M8	50	8	20	90	10	36	180	180	155	2xM25,1xM20	14	350	385
100L	160	140	63	28	M10	60	8	24	100	12	39	200	205	176	2xM25,1xM20	15	400	440
112M	190	140	70	28	M10	60	8	24	112	12	50	245	230	180	2xM32,1xM20	16	420	460
132S	216	140	89	38	M12	80	10	33	132	12	60	280	270	190	2xM32,1xM20	18	450	510
132M	216	178	89	38	M12	80	10	33	132	12	60	280	270	230	2xM32,1xM20	18	450	550
160M	254	210	108	42	M16	110	12	37	160	15	70	330	325	252	2xM32,1xM20	20	520	670
160L	254	254	108	42	M16	110	12	37	160	15	70	330	325	302	2xM32,1xM20	20	520	710
180M	279	241	121	48	M16	110	14	42.5	180	15	70	355	360	311	2xM32,1xM20	22	550	730
180L	279	279	121	48	M16	110	14	42.5	180	15	70	355	360	349	2xM32,1xM20	22	550	750
200L	318	305	133	55	M20	110	16	49	200	19	70	390	400	366	1xM50,1xM20	25	645	805
225S	356	286	149	60	M20	140	18	53	225	19	75	435	450	355	1xM50,1xM20	28	690	865
225M*	356	311	149	55	M20	110	16	49	225	19	75	435	450	380	1xM50,1xM20	28	690	860
225M	356	311	149	60	M20	140	18	53	225	19	75	435	450	380	1xM50,1xM20	28	690	890
250M*	406	349	168	60	M20	140	18	53	250	24	75	490	500	420	1xM63,1xM20	30	730	945
250M	406	349	168	65	M20	140	18	58	250	24	80	490	500	420	1xM63,1xM20	30	730	945
280S*	457	368	190	65	M20	140	18	58	280	24	90	545	560	438	1xM63,1xM20	35	810	1010
280S	457	368	190	75	M20	140	20	67.5	280	24	90	545	560	438	1xM63,1xM20	35	810	1010
280M*	457	419	190	65	M20	140	18	58	280	24	90	545	560	493	1xM63,1xM20	35	810	1060
280M	457	419	190	75	M20	140	20	67.5	280	24	90	545	560	493	1xM63,1xM20	35	810	1060
315S*	508	406	216	65	M20	140	18	58	315	28	120	640	630	550	2xM63,1xM20	45	1020	1320
315S	508	406	216	80	M20	170	22	71	315	28	120	640	630	550	2xM63,1xM20	45	1020	1350
315M*	508	457	216	65	M20	140	18	58	315	28	120	640	630	680	2xM63,1xM20	45	1020	1350
315M	508	457	216	80	M20	170	22	71	315	28	120	640	630	680	2xM63,1xM20	45	1020	1380
315L*	508	508	216	65	M20	140	18	58	315	28	120	640	630	680	2xM63,1xM20	45	1020	1490
315L	508	508	216	80	M20	170	22	71	315	28	120	640	630	680	2xM63,1xM20	45	1020	1520
355S*	610	500	254	75	M20	140	20	67.5	355	28	120	740	750	636	2xM63,1xM20	52	1080	1570
355S*	610	500	254	95	M20	170	25	86	355	28	120	740	750	636	2xM63,1xM20	52	1080	1570
355M*	610	560	254	75	M20	140	20	67.5	355	28	120	740	750	696	2xM63,1xM20	52	1080	1650
355M	610	560	254	95	M20	170	25	86	355	28	120	740	750	696	2xM63,1xM20	52	1080	1650
355L*	610	630	254	75	M20	140	20	67.5	355	28	120	740	750	766	2xM63,1xM20	52	1080	1750
355L	610	630	254	95	M20	170	25	86	355	28	120	740	750	766	2xM63,1xM20	52	1080	1750

* FOR 2 POLE MOTOR ONLY

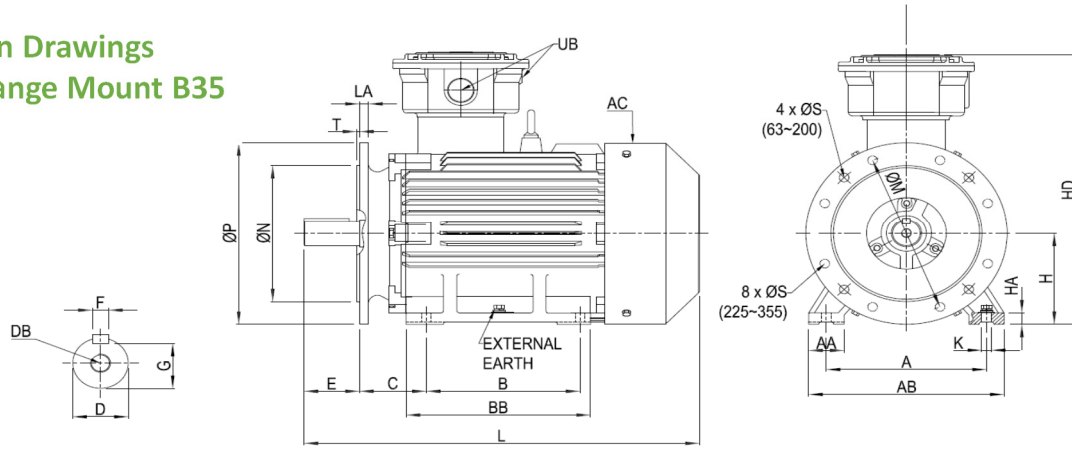
Dimension Drawings
Flange Mount B5



FRAME	D	DB	E	F	G	M	N	P	S	T	AC	UB	HB	LA	L
63M	11	M4	23	4	8.5	115	95	140	10	3	125	2xM25,1xM20	177	6.5	245
71M	14	M5	30	5	11	130	110	160	10	3.5	143	2xM25,1xM20	199	6.5	270
80M	19	M6	40	6	15.5	165	130	200	12	3.5	165	2xM25,1xM20	240	12	330
90S	24	M8	50	8	20	165	130	200	12	3.5	180	2xM25,1xM20	260	12	360
90L	24	M8	50	8	20	165	130	200	12	3.5	180	2xM25,1xM20	260	12	385
100L	28	M10	60	8	24	215	180	250	15	4	205	2xM25,1xM20	300	14	440
112M	28	M10	60	8	24	215	180	250	15	4	230	2xM32,1xM20	308	14	460
132S	38	M12	80	10	33	265	230	300	15	4	270	2xM32,1xM20	318	14	510
132M	38	M12	80	10	33	265	230	300	15	4	270	2xM32,1xM20	318	14	550
160M	42	M16	110	12	37	300	250	350	19	5	325	2xM32,1xM20	360	16	670
160L	42	M16	110	12	37	300	250	350	19	5	325	2xM32,1xM20	360	16	710
180M	48	M16	110	14	42.5	300	250	350	19	5	360	2xM32,1xM20	370	18	730
180L	48	M16	110	14	42.5	300	250	350	19	5	360	2xM32,1xM20	370	18	750
200L	55	M20	110	16	49	350	300	400	19	5	400	1xM50,1xM20	445	18	805
225S	60	M20	140	18	53	400	350	450	19	5	450	1xM50,1xM20	465	20	865
225M*	55	M20	110	16	49	400	350	450	19	5	450	1xM50,1xM20	465	20	860
225M	60	M20	140	18	53	400	350	450	19	5	450	1xM50,1xM20	465	20	890
250M*	60	M20	140	18	53	500	450	550	19	5	500	1xM63,1xM20	480	22	945
250M	65	M20	140	18	58	500	450	550	19	5	500	1xM63,1xM20	480	22	945
280S*	65	M20	140	18	58	500	450	550	19	5	560	1xM63,1xM20	530	22	1010
280S	75	M20	140	20	67.5	500	450	550	19	5	560	1xM63,1xM20	530	22	1010
280M*	65	M20	140	18	58	500	450	550	19	5	560	1xM63,1xM20	530	22	1060
280M	75	M20	140	20	67.5	500	450	550	19	5	560	1xM63,1xM20	530	22	1060
315S*	65	M20	140	18	58	600	550	660	24	6	630	2xM63,1xM20	705	25	1320
315S	80	M20	170	22	71	600	550	660	24	6	630	2xM63,1xM20	705	25	1350
315M*	65	M20	140	18	58	600	550	660	24	6	630	2xM63,1xM20	705	25	1350
315M	80	M20	170	22	71	600	550	660	24	6	630	2xM63,1xM20	705	25	1380
315L*	65	M20	140	18	58	600	550	660	24	6	630	2xM63,1xM20	705	25	1490
315L	80	M20	170	22	71	600	550	660	24	6	630	2xM63,1xM20	705	25	1520
355S*	75	M20	140	20	67.5	740	680	800	24	6	750	2xM63,1xM20	725	25	1570
355S*	95	M20	170	25	86	740	680	800	24	6	750	2xM63,1xM20	725	25	1570
355M*	75	M20	140	20	67.5	740	680	800	24	6	750	2xM63,1xM20	725	25	1650
355M	95	M20	170	25	86	740	680	800	24	6	750	2xM63,1xM20	725	25	1650
355L*	75	M20	140	20	67.5	740	680	800	24	6	750	2xM63,1xM20	725	25	1750
355L	95	M20	170	25	86	740	680	800	24	6	750	2xM63,1xM20	725	25	1750

* FOR 2 POLE MOTOR ONLY

Dimension Drawings
Foot & Flange Mount B35



DIMENSION DRAWING B35

FRAME	A	B	C	D	DB	E	F	G	H	K	AA	AB	M	N	P	S	T	AC	BB	UB	HA	HD	LA	L
63M	100	80	40	11	M4	23	4	8.5	63	7	23	125	115	95	140	10	3	125	105	2xM25,1xM20	6	240	6.5	245
71M	112	90	45	14	M5	30	5	11	71	7	28	140	130	110	160	10	3.5	143	114	2xM25,1xM20	7	270	6.5	270
80M	125	100	50	19	M6	40	6	15.5	80	10	34	165	165	130	200	12	3.5	165	130	2xM25,1xM20	10	320	12	330
90S	140	100	56	24	M8	50	8	20	90	10	36	180	165	130	200	12	3.5	180	130	2xM25,1xM20	14	350	12	360
90L	140	125	56	24	M8	50	8	20	90	10	36	180	165	130	200	12	3.5	180	155	2xM25,1xM20	14	350	12	385
100L	160	140	63	28	M10	60	8	24	100	12	39	200	215	180	250	15	4	205	176	2xM25,1xM20	15	400	14	440
112M	190	140	70	28	M10	60	8	24	112	12	50	245	215	180	250	15	4	230	180	2xM32,1xM20	16	420	14	460
132S	216	140	89	38	M12	80	10	33	132	12	60	280	265	230	300	15	4	270	190	2xM32,1xM20	18	450	14	510
132M	216	178	89	38	M12	80	10	33	132	12	60	280	265	230	300	15	4	270	230	2xM32,1xM20	18	450	14	550
160M	254	210	108	42	M16	110	12	37	160	15	70	330	300	250	350	19	5	325	252	2xM32,1xM20	20	520	16	670
160L	254	254	108	42	M16	110	12	37	160	15	70	330	300	250	350	19	5	325	302	2xM32,1xM20	20	520	16	710
180M	279	241	121	48	M16	110	14	42.5	180	15	70	355	300	250	350	19	5	360	311	2xM32,1xM20	22	550	18	730
180L	279	279	121	48	M16	110	14	42.5	180	15	70	355	300	250	350	19	5	360	349	2xM32,1xM20	22	550	18	750
200L	318	305	133	55	M20	110	16	49	200	19	70	390	350	300	400	19	5	400	366	1xM50,1xM20	25	645	18	805
225S	356	286	149	60	M20	140	18	53	225	19	75	435	400	350	450	19	5	450	355	1xM50,1xM20	28	690	20	865
225M*	356	311	149	55	M20	110	16	49	225	19	75	435	400	350	450	19	5	450	380	1xM50,1xM20	28	690	20	860
225M	356	311	149	60	M20	140	18	53	225	19	75	435	400	350	450	19	5	450	380	1xM50,1xM20	28	690	20	890
250M*	406	349	168	60	M20	140	18	53	250	24	75	490	500	450	550	19	5	500	420	1xM63,1xM20	30	730	22	945
250M	406	349	168	65	M20	140	18	58	250	24	80	490	500	450	550	19	5	500	420	1xM63,1xM20	30	730	22	945
280S*	457	368	190	65	M20	140	18	58	280	24	90	545	500	450	550	19	5	560	438	1xM63,1xM20	35	810	22	1010
280S	457	368	190	75	M20	140	20	67.5	280	24	90	545	500	450	550	19	5	560	438	1xM63,1xM20	35	810	22	1010
280M*	457	419	190	65	M20	140	18	58	280	24	90	545	500	450	550	19	5	560	493	1xM63,1xM20	35	810	22	1060
280M	457	419	190	75	M20	140	20	67.5	280	24	90	545	500	450	550	19	5	560	493	1xM63,1xM20	35	810	22	1060
315S*	508	406	216	65	M20	140	18	58	315	28	120	640	600	550	660	24	6	630	550	2xM63,1xM20	45	1020	25	1320
315S	508	406	216	80	M20	170	22	71	315	28	120	640	600	550	660	24	6	630	550	2xM63,1xM20	45	1020	25	1350
315M*	508	457	216	65	M20	140	18	58	315	28	120	640	600	550	660	24	6	630	680	2xM63,1xM20	45	1020	25	1350
315M	508	457	216	80	M20	170	22	71	315	28	120	640	600	550	660	24	6	630	680	2xM63,1xM20	45	1020	25	1380
315L*	508	508	216	65	M20	140	18	58	315	28	120	640	600	550	660	24	6	630	680	2xM63,1xM20	45	1020	25	1490
315L	508	508	216	80	M20	170	22	71	315	28	120	640	600	550	660	24	6	630	680	2xM63,1xM20	45	1020	25	1520
355S*	610	500	254	75	M20	140	20	67.5	355	28	120	740	740	680	800	24	6	750	636	2xM63,1xM20	52	1080	25	1570
355S*	610	500	254	95	M20	170	25	86	355	28	120	740	740	680	800	24	6	750	636	2xM63,1xM20	52	1080	25	1570
355M*	610	560	254	75	M20	140	20	67.5	355	28	120	740	740	680	800	24	6	750	696	2xM63,1xM20	52	1080	25	1650
355M	610	560	254	95	M20	170	25	86	355	28	120	740	740	680	800	24	6	750	696	2xM63,1xM20	52	1080	25	1650
355L*	610	630	254	75	M20	140	20	67.5	355	28	120	740	740	680	800	24	6	750	766	2xM63,1xM20	52	1080	25	1750
355L	610	630	254	95	M20	170	25	86	355	28	120	740	740	680	800	24	6	750	766	2xM63,1xM20	52	1080	25	1750

* FOR 2 POLE MOTOR ONLY

CMP - A Global Promise !

HEAD OFFICE - AUSTRALIA

CMP ELECTRIC MOTOR (AUSTRALIA) PTY LTD

12 Treetops Avenue South Penrith
2750 Sydney N.S.W
email : sales@cmpmotor.com

www.cmpmotor.com

MALAYSIA

CMP ELECTRIC MOTOR(ASIA PACIFIC) SDN BHD
26-3, PRSN Puteri 1, Bandar Puteri, 47100
Puchong,
Selangor, Malaysia. email: louis.lim@cmpmotor.com

NEWTON AUTOMATION (M) SDN BHD

No.22, Jalan Permata 9A/KS09, Taman Perindustrian
Air Hitam, 41200 Klang, Selangor, Malaysia.
email: sales@newton-group.net

INDONESIA

PT CMP INDONESIA
Kapuk Ecopark Unit B1, Jl. Kapuk Kamal Raya
No.45RT.
012 RW.001 Kel.Kamal Muara Kec.Penjarangan
Jakarta
Utara DKI, Jakarta 14470, Indonesia.
email: marketing@cmpindonesia.com

SINGAPORE

RPM ELECTRICAL ENGINEERING PTE LTD
No 1, Joo Koon Way, Gate 2, Singapore 628942
. email: rpmeopl@singnet.com.sg

THAILAND

HINERGY CO.,LTD
1213/439, Noble Tara Village, Ekamai Rama 9,
Ladprao 94 Plubpla Wangthonglang, Bangkok
10310, Thailand.
email: sales@hinergy.co.th

PHILIPPINES

email: john.anthony@cmpmotor.com

HONG KONG & MACAO CHINA

A-TECH ENGINEERING CO.,LTD
Unit 2404,24/F., World-Wide House, 19 Des
Voeux Road, Central, 999077 Hong Kong.
email: darren@a-techeng.com

KOREA

CMP KOREA
No.12-1, Sankokdong-Ro, 32 Beon
Gil, Hanam-Si, Gyeonggi-do,
Republic of Korea.
email: johnahn@cmpkorea.com